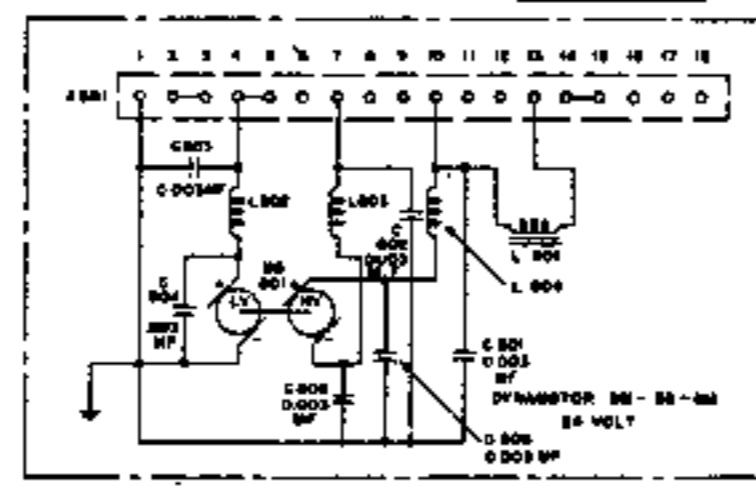
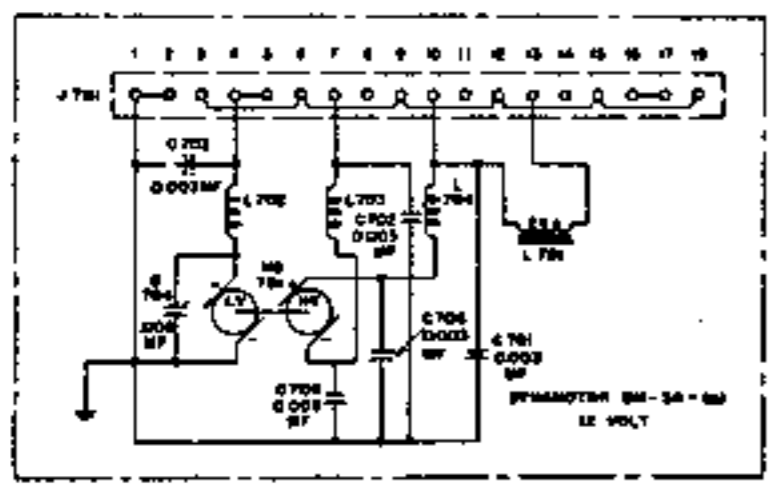
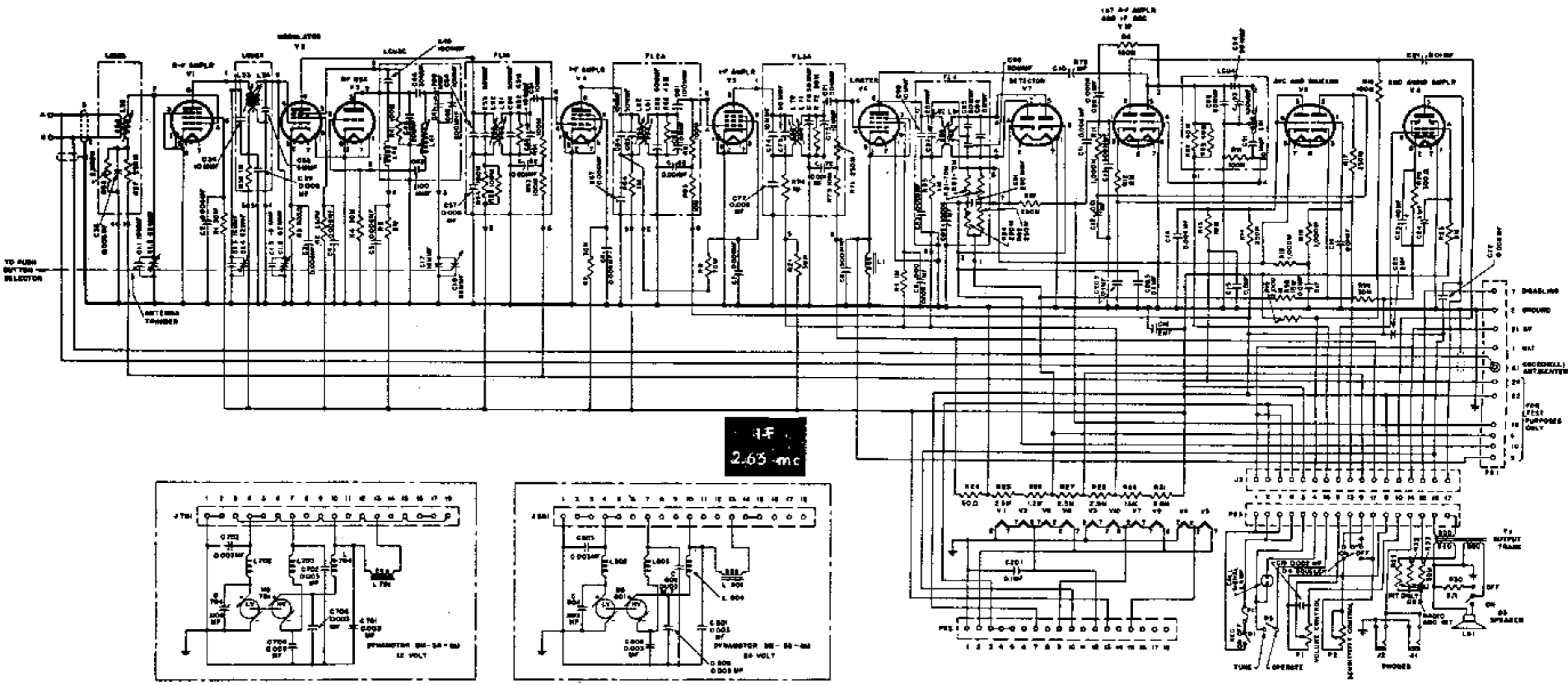


**SCHEMATIC OF RADIO RECEIVER BC-683-B**



**TUBE SOCKET TERMINALS, BOTTOM VIEW**



**JAN-6AC7**



**JAN-6J5**



**JAN-12S67**



**JAN-6X6**



**JAN-6Y6GT/6**



**JAN-6SL7GT**

**BC-683-A MODIFICATION**

- R94 NOT USED
- R95-R96 NOT USED
- V9 CATHODE CONNECTED TO JUNCTION OF R25-R26

**Downloaded by RadioAmateur.EU**

**BC-683-BM MODIFICATION**

